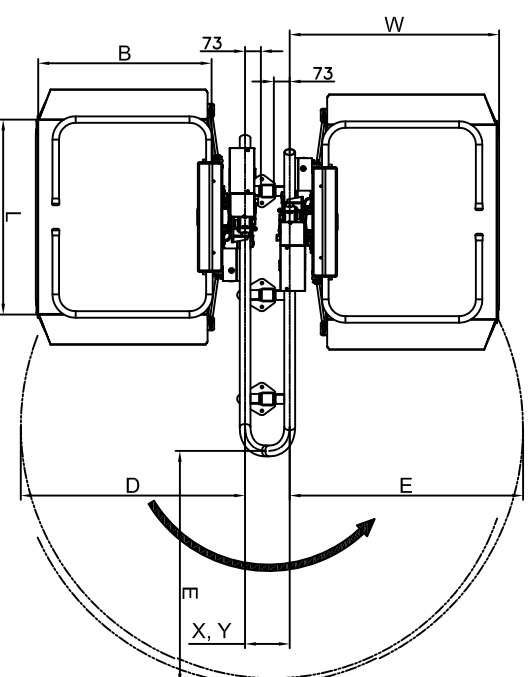
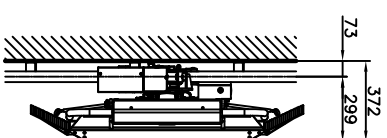


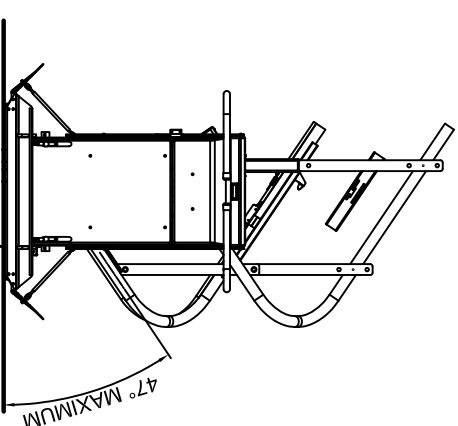
CURVE 90°



CURVE 180° (34°-44°-34°)



PLATFORM CLOSED

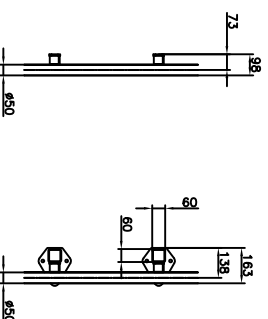


INCLINATION OF THE RAIL

RAMPS WIDTH 2000mm

PLATFORM (L x B)	W	D	E	X	Y
750 x 700	892	918	956	206	346
850 x 750	917	982	1025	206	346
900 x 800	967	1038	1081	206	346
1000 x 800	967	1061	1108	206	346
1250 x 800	967	1129	1185	206	346

RAIL FIXING  
ON THE WALL ON THE PILLARS



DIMENSION X IS VALID ONLY FOR RAIL ANGLE COMBINATION 34°-44°-34°  
DIMENSION Y IS VALID ONLY FOR RAIL ANGLE COMBINATION 25°-29°-25°