

# CAPRI

THE ELEGANT, COMFORTABLE AND SAFE STAIRLIFT



✓ COMFORTABLE AND SAFE

✓ HIGH FLEXIBILITY

✓ QUICK DELIVERY

**VIMEC**



## CAPRI

For mobility in the home, choose the comfort and quality of Vimec Capri: with its unique technology and ability to turn corners, it is outstandingly compact, elegant and sturdy.

Capri has immense personality: the most comfortable seat on the market, which gives top priority to the needs of those who use it every day.

## Adaptable and elegant

Capri is the ideal solution for the comfort of the person and the elegance of the stairs.



**Capri** is the choice for the serene enjoyment of your home in freedom.



## Easy Installation

The Capri stairlift is designed and manufactured to adapt perfectly to your staircase: this makes it easy to install and minimises installation procedures.







The Capri seat enriches the home with custom technology and discreet, silent elegance.



## Ease of Use

Up and down travel: the joystick on the armrest makes all operation automatic and convenient. The floor control boards are wireless and can be used to place the stairlift in the position required or call it to the floor.



Remote control for floor selection



On-board joystick



Control lever for the seat rotation



Foldable rail



## Immensely flexible and space-saving

Designed for installation both on the outside (opposite the handrail side) and on the inside of the staircase (handrail side), this stairlift enables you to choose the layout best suited to your home's specific features.

No problems of space on the staircase: the footrest, seat and armrests all fold neatly away.



A Capri stairlift always adapts to your home and adds value to your stairs.

It only takes few simple gestures to familiarize with the Capri chairlift.



With the seat «Plus» is enough a simple gesture to fold the armrests, the seat and the footrest.





## Safety and comfort

You can move around exactly as you want, thanks to the various features included for your personal protection.

The footrest, in non-skid material, is fitted with safety edges ensuring that the Capri will stop when obstacles are encountered.

At the destination floor the seat can be rotated by 75°, fully facilitating a safe, and convenient unloading: the gradual start and cushioned stop provide a smooth ride, with complete comfort for all users.

The wide range of seat and rail colours available, allow you to match your interior design scheme.



Droptoe



Control lever for the seat rotation.



Seat rotation to ensure smooth unloading.

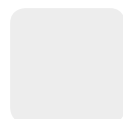


# Characteristics

- On-board joystick
- Comfortable and safe swivel seat
- Soft start and stop
- Remote control that allows the positions of the stairlift at the desired floor
- The footrest, made of anti-slip material, is provided with safety edges
- Minimal space requirement with folding armrests
- Several models and colours are available to adapt to your environment.

## Seat colours

### PLUS



WHITE  
leatherette  
(standard)



BEIGE  
fabric  
(optional)



RED  
fabric  
(optional)

### COMFORT



BEIGE  
leatherette  
with dark  
wooden edge.

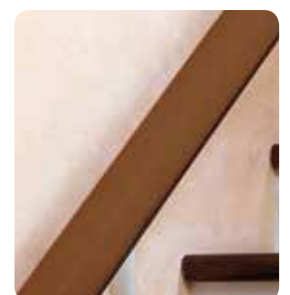
## RAIL COLOURS



CREAM WHITE  
(standard)



GREY 7047  
(optional)



BROWN 8024  
(optional)



# Technical Specifications

Supply voltage	230 VAC
Speed	0.15 m/s (max.)
Service life	15 rides per 24 hours / 10 rides continuous
Load (max)	125 kg

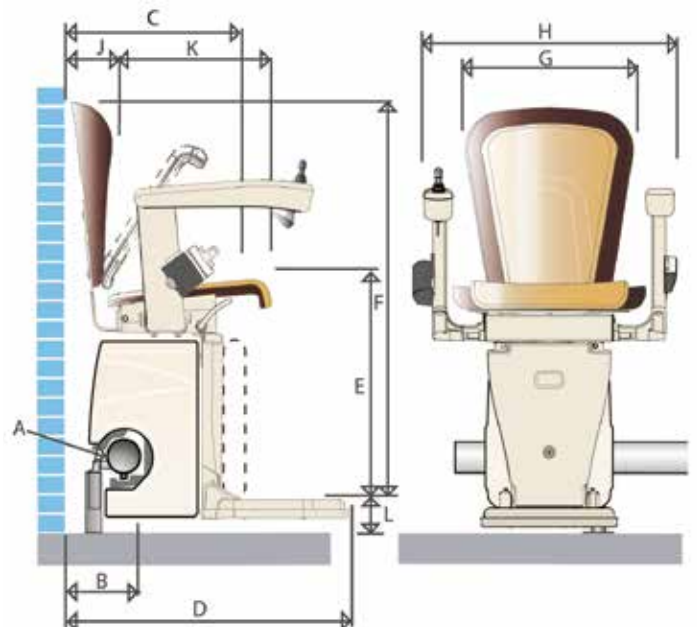
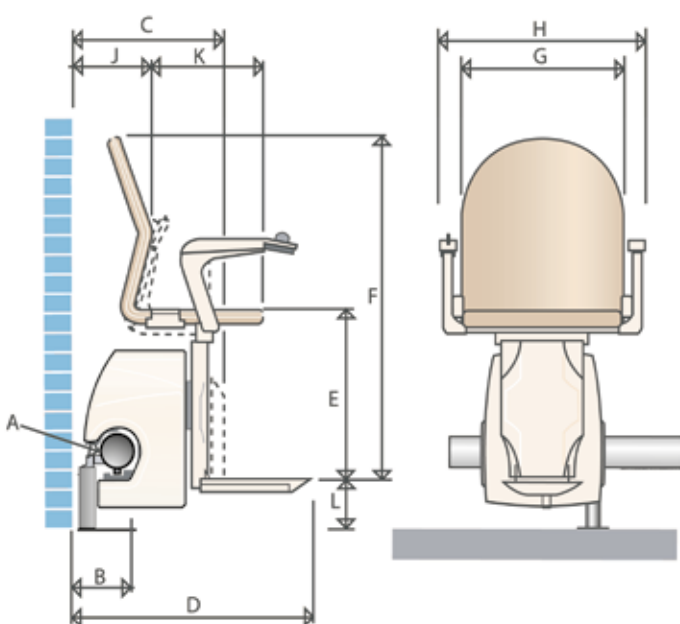
The data are indicative and not binding. Vimec reserves the right to make any modifications considered necessary

DIMENSIONS		PLUS	COMFORT
A	Rail dimensions	Ø 76 mm	Ø 76 mm
B	Distance from the external side (skirting board 30 mm) or Distance from the internal side (skirting board 30 mm)	170 mm	170 mm
C	Width of the folded footrest	420 mm	400 mm
D	Width of the unfolded footrest (extended) Width of the unfolded footrest (standard)	615 mm 640 mm	625 mm 655 mm
E	Distance between the footrest and the seat	484 mm	485 mm
F	Distance between the footrest and the top of the backrest	830 mm	880 mm
G	Distance between the armrests (inside)	475 mm	440-460 mm
H	Distance between the armrests (outside)	580 mm	570-610 mm
J	Distance between the backrest and the wall	100 mm	570-610 mm
K	Seat depth	380 mm	390 mm
L	Distance between upperside of footrest to the floor In case of *dropnose*	133 mm 93 mm	130 mm 93 mm
Minimum width of the stair for installation on the internal side		770 mm	770 mm
Minimum width of the stair for installation on the external side		740 mm	740 mm

Dimensions can change depending on the type of staircase and installation

## PLUS

## COMFORT





## VIMEC Range

Since 1982 Vimec designs, manufactures and installs customized solutions: home lifts and elevators, chairlifts and stairlifts, platform lifts and mobile stair climbers.

**More than 110.000 installations  
all over the world.**



### Guaranteed products

Vimec chairlifts are guaranteed up to 24 months.

### Vimec Accessibility L.T.D.

Suite 56 Basepoint Business Centre  
Caxton Close - Andover, Hampshire - SP10 3FG  
Head Office: Luzzara (RE) - Italy  
export@vimec.biz  
[www.vimec.biz](http://www.vimec.biz)

### Vimec subsidiaries:

Madrid (Spain)  
Avignon (France)  
Warsaw (Poland)



COMPANY  
WITH QUALITY SYSTEM  
CERTIFIED BY DNV  
= UNI EN ISO 9001/2008 =

